

Sno-Konette

Instruction Manual

Deluxe – Model #1002S
Standard – Model #1003S









 **GOLD MEDAL**®

FUNFOOD EQUIPMENT & SUPPLIES

Cincinnati, OH 45241-4807 USA

SAFETY PRECAUTIONS

	<p style="text-align: center;">⚠ DANGER</p> <p>Machine must be properly grounded to prevent electrical shock to personnel. Do not immerse the equipment in water. Keep cord and plug off the ground, and away from moisture. Always unplug the equipment before cleaning or servicing.</p>
	<p style="text-align: center;">⚠ WARNING</p> <p>Never put your fingers or any object into the shaver body (the goose-neck) while the motor is running. Serious injury may occur. <i>(Gold Medal Products does not assume any liability for injury due to careless handling and/or reckless operation of this equipment).</i></p>
	<p style="text-align: center;">⚠ WARNING</p> <p>ALWAYS wear safety glasses when servicing this equipment.</p>
	<p style="text-align: center;">⚠ WARNING</p> <p>Any alterations to this equipment will void the warranty and may cause a dangerous situation. NEVER make alterations to the equipment. Make sure all machine switches are in the off position before plugging the equipment into the receptacle.</p>
	<p style="text-align: center;">⚠ CAUTION</p> <p>Do NOT allow direct contact with this equipment and the general public when used in food service locations. Only personnel that are trained and familiar with the equipment should operate the equipment. Carefully read all installation instructions before operation.</p>
	<p style="text-align: center;">⚠ CAUTION</p> <p>This machine is NOT to be operated by minors. Minors are classified as anyone under the age of 18.</p>

NOTE

Improvements are always being made to Gold Medal Products equipment. This information may not be the latest available for your purposes. It is critical that you call Gold Medal Products technical service department at 1-800-543-0862 for any questions about machine operations, replacement parts, or any service questions.

Installation Instructions

Inspection of Shipment:

Unpack all cartons and check thoroughly for any damage that may have occurred during transit. Damage claims should be filed immediately with the transportation company. Gold Medal Products is not responsible for damage that occurs in transit.

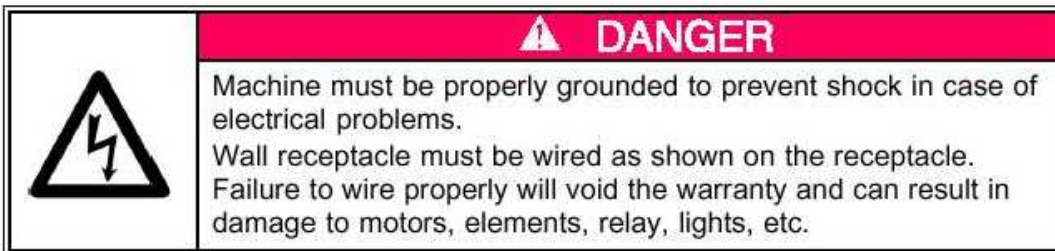
Setup:

Your new Sno-Konette was assembled and tested at the factory. Remove all packing material and tape before starting operation.

Electrical Requirements:

The following power supply must be provided:

120 Volt, 15 Amp, single phase, 60 cycle AC current



Your electrician must furnish sufficient power for proper machine operation. We recommend this machine be on a dedicated and protected circuit. Failure to wire properly will void the warranty and may result in damage to the machine.

It is Gold Medal Products Company's recommendation that this machine be plugged directly into a wall outlet. The use of extension cords is not recommended due to safety concerns, and may cause sacrificed and/or reduced performance.

Before You Plug In Machine:

1. Make sure that the wall outlet can accept the three (3) prong grounded plug on the power supply cord.
2. The wall outlet must have the proper polarity. If in doubt, have a competent electrician inspect the outlet and correct if necessary.
3. **DO NOT** use a three (3) prong grounded to two (2) prong un-grounded adapter

Operating Instructions

After unpacking the Sno-Konette you should locate the pusher handle (packed in a separate box). Connect the pusher handle to the shaver body by using the bolt and nut provided. Plug the power cord into the appropriate electrical outlet.

To Operate the Sno-Konette:

1. Fill the hopper to within an inch from the top with ice cubes or block ice (no larger than 3 to 4 inches). The larger the pieces, the better the snow.
2. Switch the motor on, and wait for it to reach full speed (this will take a minute or so).
3. Press the pusher handle down against the ice in the hopper. Apply firm and even pressure to make the best snow. Practice will enable you to gauge when to stop. This allows the ice to resettle against the shaver head. You may find that you need to relieve the pressure two or three times during a cycle. Too much pressure will result in snow that is coarse; too little pressure will make the snow mushy.




NOTE: Never allow any foreign or metallic objects around the shaver area of the Sno-Konette. Ice picks, scoops, and debris that may be in the ice often damage blades.

Ice Requirements:

The Sno-Konette can take ice cubes or block ice, if you break the block into pieces approximately 3 to 4 inches in size.

NOTE: The ice will not enter the shaving chute if the pieces are too large.

MAINTENANCE INSTRUCTIONS

	<p style="text-align: center;">⚠ DANGER</p> <p>Do NOT immerse the equipment in water. Unplug your machine before servicing.</p>
	<p style="text-align: center;">⚠ WARNING</p> <p>Adequate eye protection must be used when servicing this equipment to prevent the possibility of injury.</p>
	<p style="text-align: center;">⚠ CAUTION</p> <p>THE FOLLOWING SECTIONS OF THIS MANUAL ARE INTENDED ONLY FOR QUALIFIED SERVICE PERSONNEL WHO ARE FAMILIAR WITH ELECTRICAL EQUIPMENT. THESE ARE NOT INTENDED FOR THE OPERATOR.</p>

ORDERING SPARE PARTS

*** Always speak to a Gold Medal Products Technical Service Advisor before ordering any parts to help ensure accuracy for your product. Included diagrams may not be the latest information.**

1. Identify the needed part by checking it against the photos, illustrations, and/or parts list.
2. When ordering, please include part number, part name, and quantity needed.
3. Please include your model number, serial number, and date of manufacture (located on the machine nameplate) with your order.
4. Address all parts orders to:

Parts Department
Gold Medal Products Co.
10700 Medallion Drive
Cincinnati, Ohio 45241-4807

Or, place orders by phone or online:

(800) 543-0862

(513) 769-7676

Fax: (513) 769-8500

E-mail: info@gmpopcorn.com

Web Page: www.gmpopcorn.com

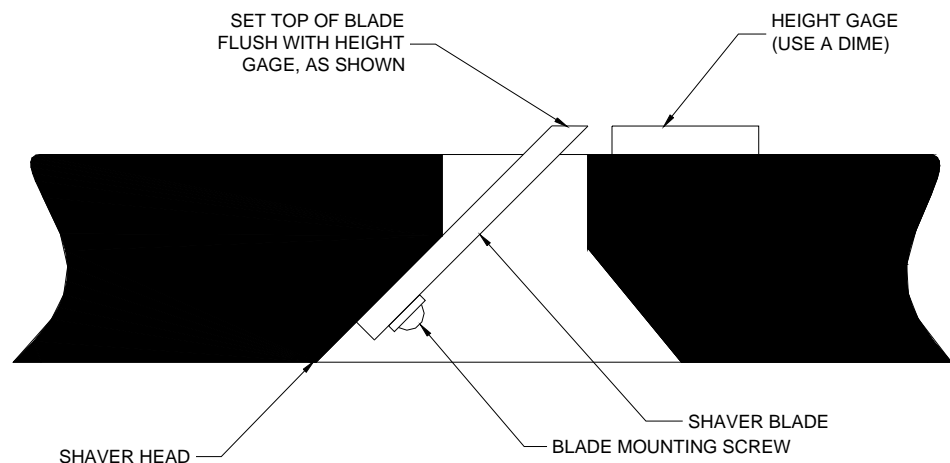
Installing New Shaver Blades

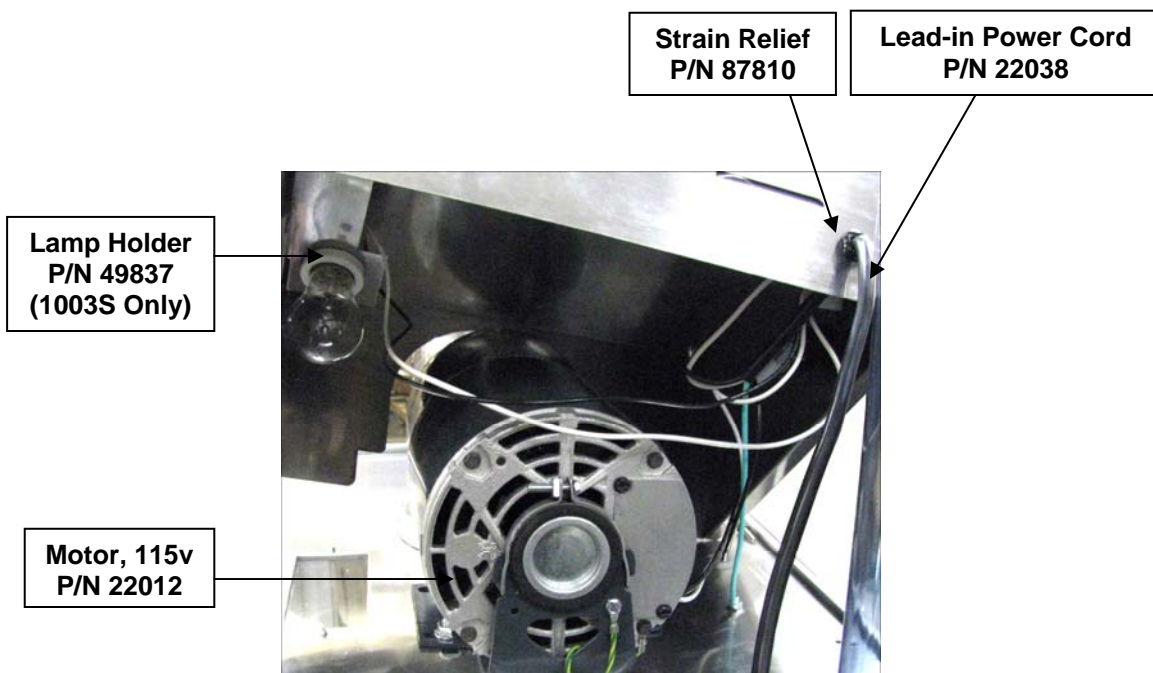
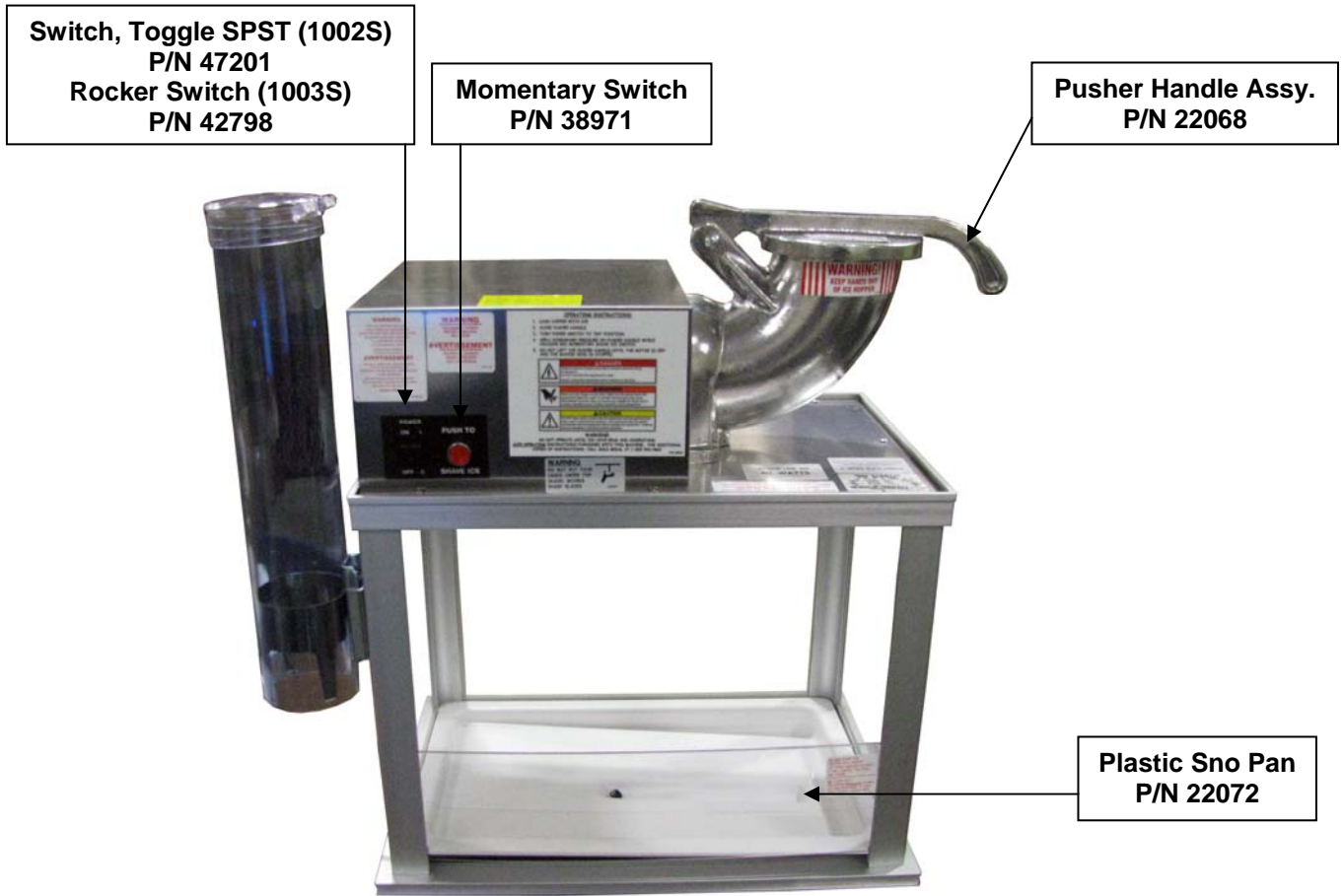
Inspect your equipment before replacing the blades. Use a flashlight to examine the blades in the shaver body. If the blades appear to be nicked or bent, then the blades should be replaced.

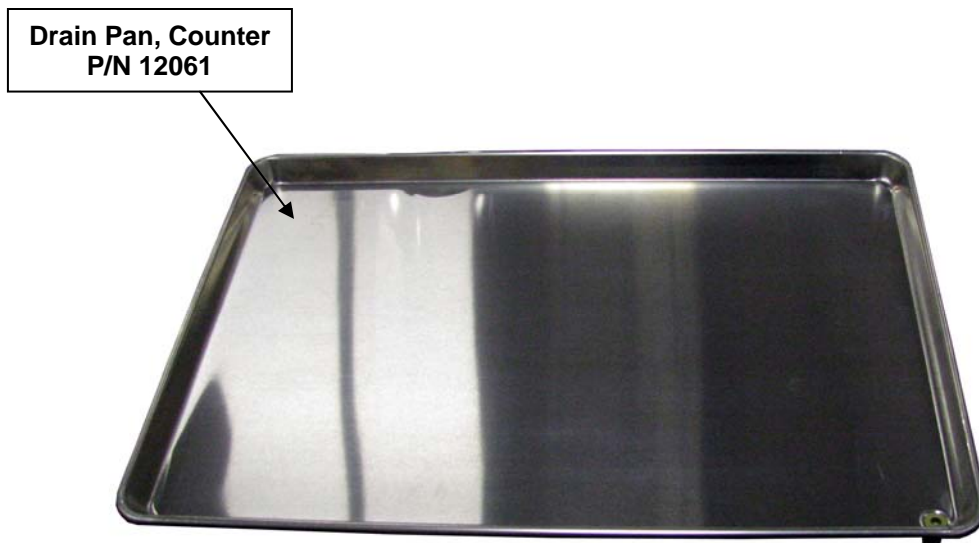
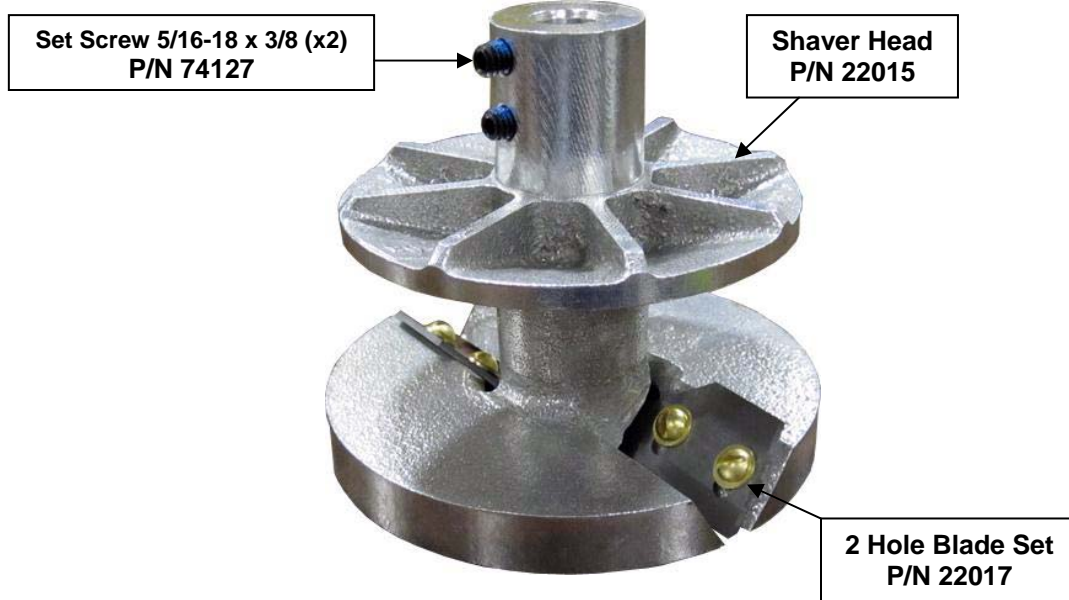
Follow this procedure:

1. Unplug the main power supply cord from the electrical outlet.
2. Remove the shaver head from the motor shaft by loosening the Allen head set screws (2) between the motor and the hopper.
3. Remove the shaver head. Pull the shaver head off of the motor shaft and through the hopper. If the shaver head is frozen onto the shaft, remove the hold down bolts on the motor. Pull the motor back, trapping the shaver head against the inside of the hopper, until the shaver head disengages.
4. After removing the shaver head, check the motor shaft for burrs and corrosion. Use a fine tooth file to remove the burrs and corrosion.
5. Remove the blades from the shaver head. These blades may be sharpened, but it is far better to replace the old blades with a new set.
6. Position the new blades and insert screws until they are finger tight.
7. Set the blade thickness equal to a dime. (See illustration below.) Make sure that the height is even across the shaver head.
8. Tighten the blade screws completely. Check the blades again with a dime to ensure the blades did not move while tightening the screws.
9. Replace the motor and shaver head. Mount the motor using the hold down bolts. Insert the shaver head through the hopper and onto the motor shaft. Press the shaver head onto the motor shaft with the pusher handle, then move the shaver head in another 1/8". Check that the shaver head is not rubbing against the back of the hopper and the blades are not touching the pusher handle.
10. Replace the set screws (2) between the hopper and the motor.

NOTE: Replace the shims that were between the motor base and the mounting surface.



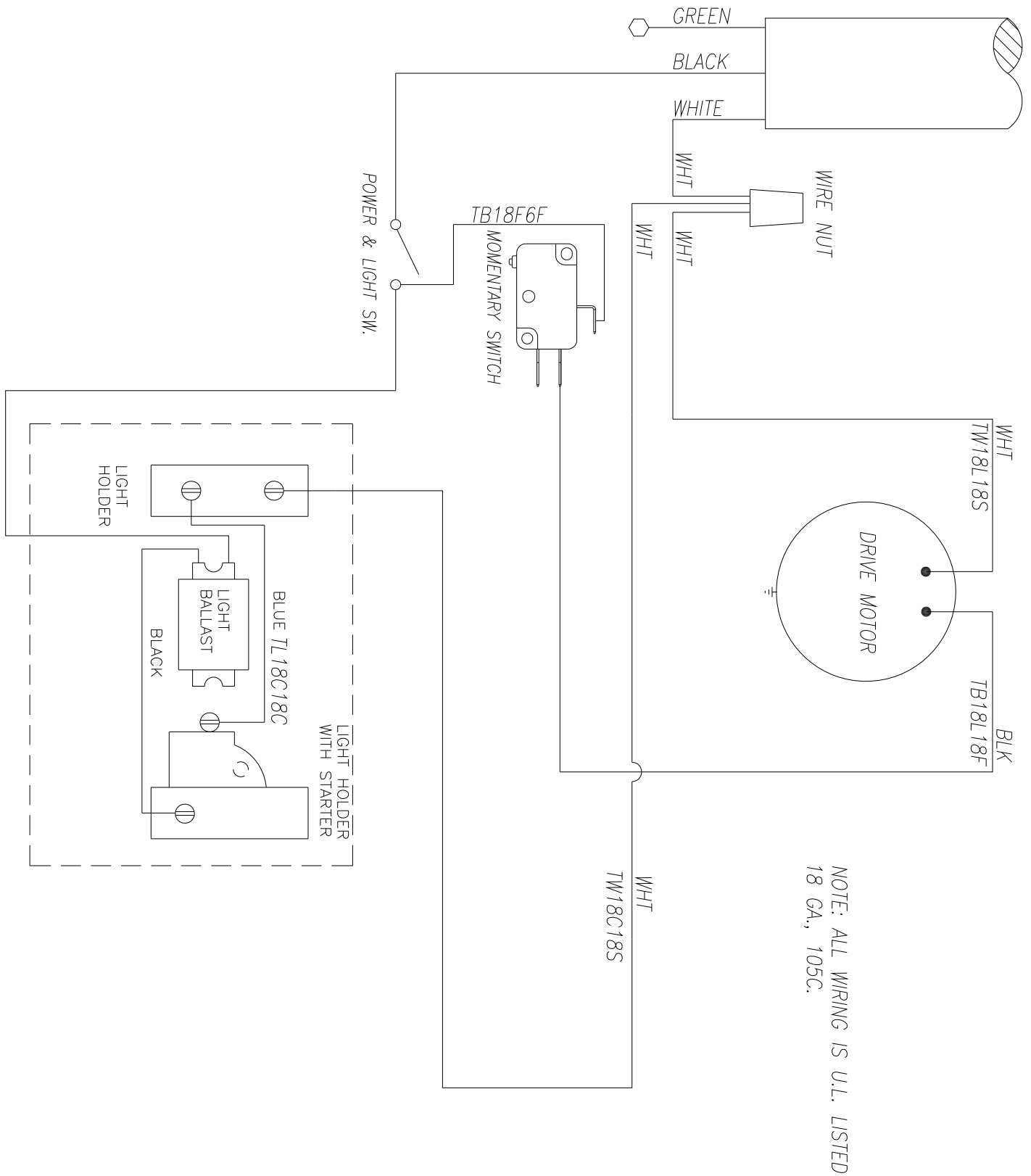




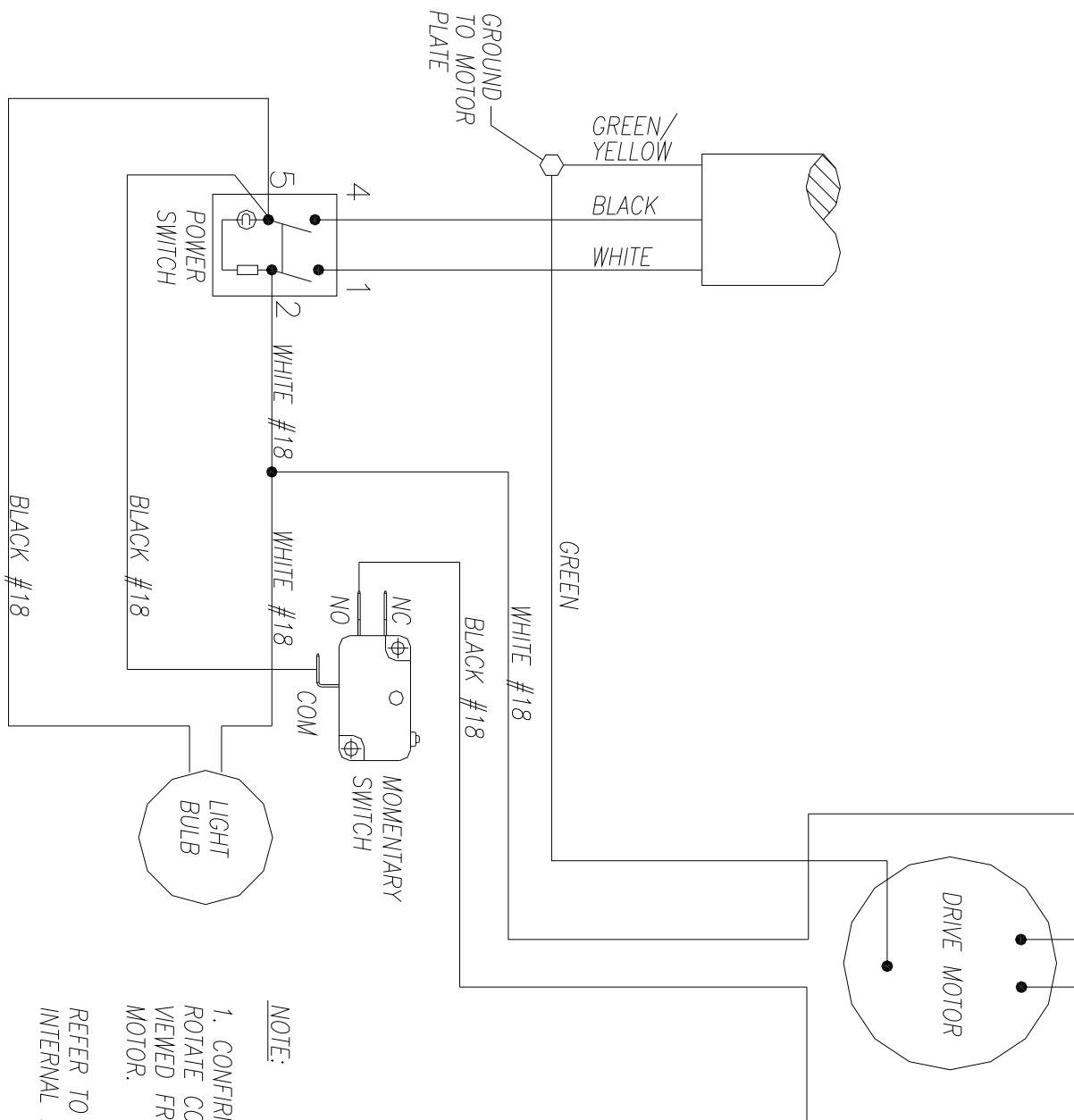
PARTS LIST

Model # 1002S Part No.	Model # 1003S Part No.	Description
12012	12012	Front Glass Strip
12013	12013	Rear Glass Strip
12038	12038	Front Glass (15" x 18")
12039	12039	Side Glass (15" x 11 15/16")
47201	42798	Rocker Switch Switch
22034	22034	Ice Shaver Drain Hose (3' Long)
1088	1088	6 oz Sno Dipper
1206	1206	6 oz. Cup Dispenser with Bracket
39068	39068	Ice Scoop
22228	61115	Dome Assy (1002S) or Motor Cover Assy (1003S)
22222	N/A	Dome Sign (Glass) for 1002S
41020		Light Tube Holder
41021		Light Tube Holder Starter
41022		Light Ballast
41023		Light Starter
41057		Light Tube
	49837	Lamp Holder
	87065	40 Watt Light Bulb
	61112	Light Cover (Clear Plastic)
47010	47010	Label, "Safe Operating Instructions"
47155	47155	Rubber Feet (4 Req)
49132	49132	Grip Nut (5/16-8; Motor Mounting; 4)
74119	74119	Label, "Warning Disconnect Power"
75220	75220	Hose Clamp with Screw
77747	77747	Slot Head Hex Screw (#8-32 x 3/4") cabinet
12018	12018	Blade Mounting Screw (8-32 x 3/8" Brass)
	12480	Decal

ELECTRICAL SCHEMATIC – MODEL #1002S



ELECTRICAL SCHEMATIC – MODEL #1003S



NOTE: ALL WIRING IS U.L. LISTED
18 GA., 105C.

NOTE:
1. CONFIRM MOTOR ROTATION, MOTOR MUST ROTATE COUNTER CLOCKWISE (CCW) WHEN VIEWED FROM THE SHAFT END OF THE MOTOR.
REFER TO MOTOR DATA PLATE FOR PROPER INTERNAL MOTOR WIRING CONNECTIONS.

WARRANTY

WE WARRANT to the original purchaser the Gold Medal equipment sold by us to be free from defects in material or workmanship under normal use and service. Our obligation under this warranty shall be limited to the repair or replacement of any defective part for a period of six (6) months from the date of sale to the Original Purchaser with regard to labor and two (2) years with regard to parts and does not cover damage to the equipment caused by accident, alteration, improper use, voltage, abuse, or failure to follow instructions.

THIS WARRANTY IS IN LIEU OF ALL OTHER WARRANTIES EXPRESSED OR IMPLIED, AND OF ALL OTHER OBLIGATIONS OR LIABILITIES ON OUR PART, INCLUDING THE IMPLIED WARRANTY OF MERCHANTABILITY. THERE ARE NO WARRANTIES WHICH EXTEND BEYOND THE DESCRIPTION ON THE FACE HEREOF. We neither assume, nor authorize any other person to assume for us, any other obligation or liability in connection with the sale of said GOLD MEDAL equipment or any part thereof.

The term "Original Purchaser" as used in this warranty shall be deemed to mean that person, firm, association, or corporation who was billed by the GOLD MEDAL PRODUCTS COMPANY, or their authorized distributor for the equipment.

THIS WARRANTY HAS NO EFFECT AND IS VOID UNLESS THE ORIGINAL PURCHASER FIRST CALLS GOLD MEDAL PRODUCTS COMPANY AT 1-800-543-0862 TO DISCUSS WITH OUR SERVICE REPRESENTATIVE THE EQUIPMENT PROBLEM, AND, IF NECESSARY, FOR INSTRUCTIONS CONCERNING THE REPAIR OR REPLACEMENT OF PARTS.



GOLD MEDAL PRODUCTS COMPANY

10700 Medallion Drive

Cincinnati, Ohio 45241-4807 USA

www.gmpopcorn.com

Phone: 1-800-543-0862

Fax: 1-800-542-1496

© The text, descriptions, graphics and other material in this publication are the proprietary and exclusive property of Gold Medal Products Company and shall not be used, copied, reproduced, reprinted or published in any fashion, including website display, without its express written consent.